

DEGSON是专业工业连接器制造商，能为客户提供定制化的解决方案。  
 DEGSON is a professional industrial connector manufacturer that offers customized solutions to customers.



# 充电连接器

**接线端子**

宁波高松电子有限公司  
 ISO9001 ISO14001 ISO80079-34 IATF16949

**圆形连接器**

宁波高松电子有限公司  
 ISO9001 ISO14001 ISO80079-34 IATF16949

**重载连接器**

宁波高松电子有限公司  
 ISO9001 ISO14001 ISO80079-34 IATF16949

**充电连接器**

宁波高松电子有限公司  
 ISO9001 ISO14001 ISO80079-34 IATF16949

**线束**

宁波高松电子有限公司  
 ISO9001 ISO14001 ISO80079-34 IATF16949

**定制化产品**

宁波高松电子有限公司  
 ISO9001 ISO14001 ISO80079-34 IATF16949



**DEGSON**  
 宁波高松电子有限公司  
 DEGSON ELECTRONICS CO.,LTD.

地址：No.1585, Xiaolin Road, Cixi, Ningbo China 电话：+86-574-63504333  
 邮编：315321 传真：+86-574-63512345  
 网址：www.degson.com 邮箱：sale@degson.com

The catalog is only for reference, and the detail data must be based on our company's specification!



EV 20-CE01

**宁波高松电子有限公司**  
 DEGSON ELECTRONICS CO.,LTD.  
 ISO9001 ISO14001 ISO80079-34 IATF16949

# 公司简介

DEGSON高松电子有限公司创建于1990年，是一家高新技术企业，是亚洲最大接线端子和工业电气连接领域专业制造商之一，是亚洲首家同时拥有美国UL和德国VDE认可专业实验室的企业。产品通过了UL、CE、RoHS REACH等认证。公司通过了ISO9001、ISO14001、ISO80079-34、ISO/TS22163和IATF16949管理体系认证。

DEGSON高松产品畅销中国、德国、英国、意大利、西班牙、波兰、俄罗斯、印度、土耳其、巴西、美国、日本、韩国、南非等100多个国家和地区，为全球工业自动化、仪器仪表、电梯、电力电气、轨道交通、新能源、照明、通讯、电源、安防、船舶等行业，提供优良的产品和服务。

DEGSON高松在全球建立了完善的销售网络，在德国建立了营销中心，30年来DEGSON高松以务实诚信、责任创新、和谐发展、规则共赢的企业精神，更好地为客户提供更快捷、全面、专业的本地化服务。

## Brief Introduction

Founded in 1990, DEGSON Electronics Co., Ltd. is one of the largest manufacturers of terminal blocks and industrial electrical connection products in Asia. As a high-tech enterprise, DEGSON owns the first UL and VDE authorized laboratory in Asia. DEGSON products have been approved by UL, CE, RoHS REACH. The company has been granted ISO9001, ISO14001, ISO80079-34, ISO/TS22163 and IATF16949 management system certificates.

DEGSON products are very popular in China, Germany, UK, Italy, Spain, Poland, Russia, India, Turkey, Brazil, USA, Japan, Korea, South Africa, etc. totally more than 100 countries and areas. DEGSON provides excellent products and service for the customers all over the world, especially in Industrial Automation, Instrument, Elevator, Electric Power, Rail Transport, New Energy, Lighting, Telecommunication, Power Supply, Security, Ship-building and so on.

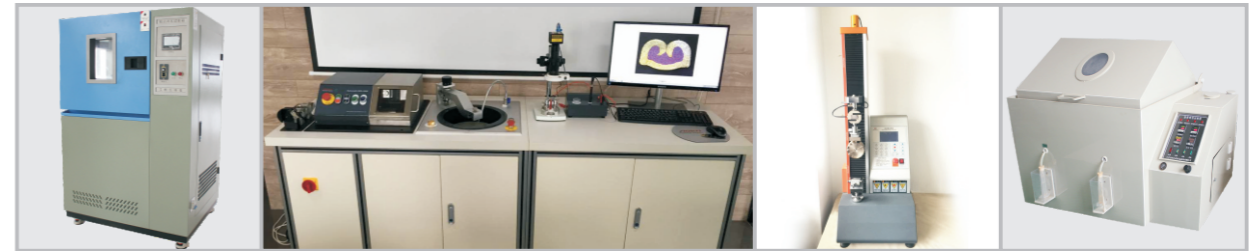
DEGSON fulfills the sales network all over the world and sets up marketing centers in Germany, China. Pragmatic, Sincerity, Responsibility, Innovation, Harmonious Development, Rule and Win-win. In accordance with these spirits of enterprise for 30 years, DEGSON will keep providing more speedy, comprehensive and professional local service to our customers.



## 亚洲首家同时拥有美国UL、德国VDE认可的实验室 First Lab. authorized by UL&VDE in Asia



DEGSON 实验室拥有大批先进检测仪器和设备，能按UL1059、UL486E、IEC60998、IEC61984、IEC60947、GB13140、GB14048、CSA C22.2 No.158 标准对接线端子进行全面测试。The lab is equipped with amounts of advanced test equipments which can operate all tests for terminal blocks according to the standards of UL1059,UL486E,IEC60998,IEC61984,IEC60947,GB13140,GB14048,CSAC22.2、No.158.



IP等级测试仪  
IP class tester

剖面分析仪  
Metallographic analyzer

拉拔力测试仪  
Pull out force tester

盐雾腐蚀试验箱  
Salt spray tester



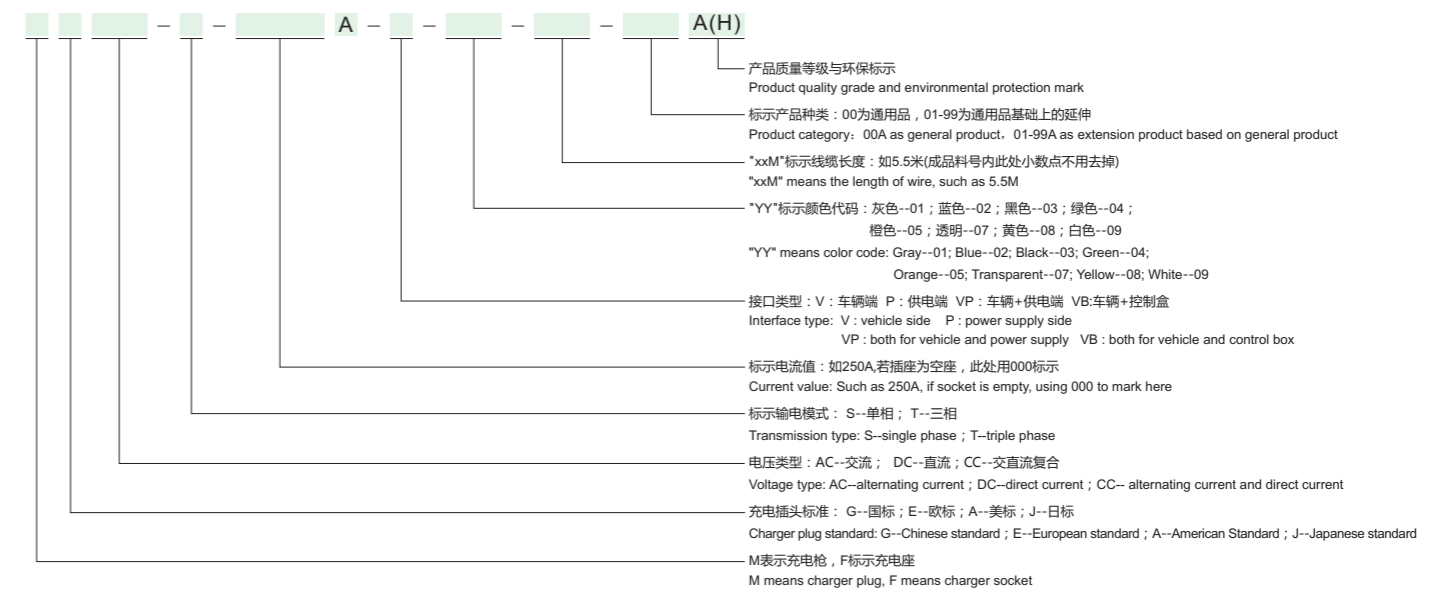
数显耐压测试仪  
Digital withstanding voltage tester

绝缘电阻测试仪  
Insulation resistance tester

模拟运输震动试验机  
Vibration tester

双翼跌落试验机  
Drop tester

## 充电系列产品编码规则 EV Charger Code Rule



例如：Such as:

1. 充电枪MGDC-S-250A-V-YY-5.5M-00A(H)

表示：250A国标直流单相车辆端充电枪，线缆长度5.5M的通用品。

1. Charger plug MGDC-S-250A-V-YY-5.5M-00A(H)

It means: 250A charger plug vehicle side with DC single phase based on Chinese standard, 5.5M wire general product.

2. 去掉“—”、“小数点”、“()”、“空格”即为成品料号，如：MGDCS250AVYY5.5M00AH

2. Part number of finished products only need to delete "—", "decimal point", "()", "blank space". For example: MGDCS250AVYY5.5M00AH

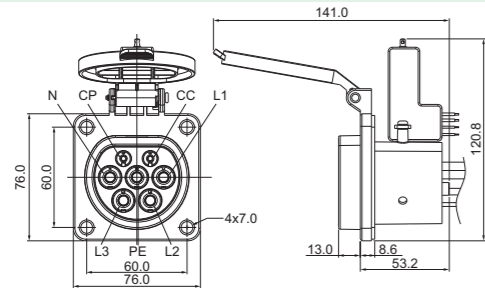
## 国标交流供电端插座 GB/T AC power supply socket (CN)



电动汽车交流充电插座供电端，万次以上插拔保证，具备电子锁及电子锁止检测机制，便于启动的应急机械解锁机构，具有可选的温控装置，最大特点：充电结束后，插头拔出，翻盖可自动闭合起到IP防护作用。

Power supply sockets of EV AC charger, guarantee more than ten thousands times plug and withdrawal, with electronic lock and electronic lock test mechanism, mechanical unlock mechanism for emergency temperature control device is optional, distinct feature: withdraw connector after finishing charging and cover lid automatic close to achieve IP protection function.

### 产品尺寸示意图 Dimension drawing



### 产品特点 Product characteristics

- 模块化设计支持板前安装。  
Modular Design, Fit For Front-Board Installment.
- 温度监控功能，充电更安全。  
Temperature Monitor, More Safety Charging.
- 优越的防护性能、可靠性的材料。  
Excellent Protection Performance, Reliable Material.

### 产品定义 The product definition

标准 Standard	GB/T 20234.2-2015
充电模式 Charging Mode	3
连接方式 Connection Manner	B
充电电流类型 Current Type	AC
外壳颜色 Housing Color	03-黑色 03-Black

### 环境条件 Ambient Condition

环境温度 (工作) Ambient Temperature (working)	-30~50°C
环境温度 (储存) Ambient Temperature (storage)	-40~80°C
最高海拔 Max Altitude	5000M
防护等级 Ingress Protection	工作状态IP55, 保护盖IP54 IP55 (working condition); IP54 (with protective cover)

### 主要材料 Major Material

外壳材料 Housing Material	高强度热塑性材料、阻燃等级UL94V-0 Reinforced Thermoplastic, UL94V-0
插孔材料 Socket Material	铜合金+表面镀银 Copper Alloy, Ag Plated

### 机械性能 Mechanical Performance

插拔次数 Insertion & Pullout Times	>10000 次 >10000 times
插拔力 Insertion & Pullout Force	<100N

### 电气特性 Electrical Parameter

额定电流 Rated Current	16A, 32A
额定电压 Rated Voltage	250V/440V
动力插孔数 Number of power Socket	3(L, N, PE) 5(L1, L2, L3, N, PE)
信号触点数 Signal Pin Number	2(CC, CP)
信号触点的额定电流 Signal Pin Current	2A
绝缘电阻 Insulation Resistance	≥5MΩ 500V DC 1min
温度监控 Temperature Monitor	PT1000
电磁锁驱动电压 Electromagnetic Lock driven Voltage	DC 12V
电磁锁额定功率 Electromagnetic Lock Power	9w
电磁锁杆推出时间 Electromagnetic Lock Work Time	200ms

### 线缆配置 Cable Configuration

规格 Specification	电流 Current	线缆配置 Cable Configuration
FGAC-S-016A-P-YY-X.XM-XXAH	16A	3x2.5mm <sup>2</sup> +2 x0.75mm <sup>2</sup>
FGAC-S-032A-P-YY-X.XM-XXAH	32A	2x6mm <sup>2</sup> +1x10mm <sup>2</sup> +2 x0.75mm <sup>2</sup>
FGAC-T-032A-P-YY-X.XM-XXAH	32A	4x6 mm <sup>2</sup> +1x10mm <sup>2</sup> +2 x0.75mm <sup>2</sup>

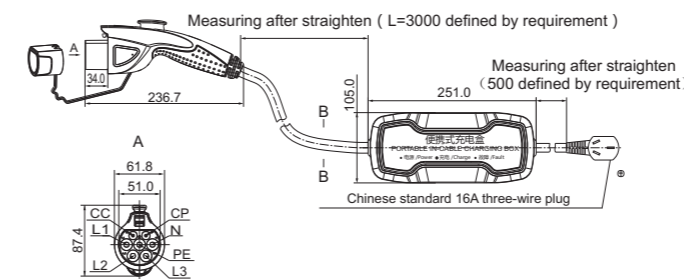
## 国标交流车辆端模式2充电枪 GB/T Mode 2 AC Vehicle connector (CN)



电动汽车国标交流车辆端模式2充电枪具有充电控制、充电状态监测、报警、显示等多功能充电器，可以让电动汽车个人用户享受便捷、安全的家庭式充电。

GB/T Mode 2 AC Vehicle connector equips with multiple functions-such as charging controll, charging status surveillance, alarming, display etc. convenient and safe charging is available for individual users.

### 产品尺寸示意图 Dimension drawing



### 产品特点 Product characteristics

- 充电接口具备锁紧和防误操作功能。  
Tight lock and misoperation prevention functions is available for charging interface.
- 便携式免安装，即插即用，自启动充电更方便。  
Portable type, installment free, plug and play, convenient charging by automatic reconnection.
- 8A、13A、16A充电电流选择。  
AC 8A、13A、16A is optional.
- 温度监控，充电更安全。  
Temperature Monitor, Safe Charging.
- LED多种颜色指示。  
Multicolor LED indication lights.

### 产品定义 The product definition

标准 Standard	GB/T 20234.2-2015、GB/T 18487.1-2015
充电模式 Charging Mode	2
连接方式 Connection Manner	B
充电电流类型 Current Type	AC
外壳颜色 Housing Color	03-黑色 03-Black
线缆颜色 Cable color	03-黑色 03-Black

### 环境条件 Ambient Condition

环境温度 (工作) Ambient Temperature (working)	-30~50°C
环境温度 (储存) Ambient Temperature (storage)	-40~80°C
最高海拔 Max Altitude	≤2000M
防护等级 Ingress Protection	工作状态IP55 IP55 (working condition)

### 主要材料 Major Material

插头材料 Plug material	高强度热塑性材料、阻燃等级UL94V-0 Reinforced Thermoplastic, UL94V-0
外壳材料 Housing Material	高强度热塑性材料、阻燃等级UL94V-0 Reinforced Thermoplastic, UL94V-0
保护盖材料 Cap Material	TPU
插针材料 Pin Material	铜合金+表面镀银 Copper Alloy, Ag Plated

### 机械性能 Mechanical Performance

插拔次数 Insertion & Pullout Times	>10000 次 >10000 times
插拔力 Insertion & Pullout Force	<100N
抗冲击力 Withstanding Impact Force	充电接口可承受1米高度跌落与2吨汽车碾压 Charger can sustain fall from 1 meter height and crush by 2 tons vehicle

### 电气特性 Electrical Parameter

额定电流 Rated Current	8A, 13A, 16A
额定电压 Rated Voltage	220V AC
动力插针数 Power Pin Number	3(L, N, PE)
信号触点数 Signal Pin Number	2(CC, CP)
信号触点的额定电流 Signal Pin Current	2A
绝缘电阻 Insulation Resistance	>5MΩ 500V DC 1min
温度监控 Temperature Monitor	1*PT1000

### 线缆配置 Cable Configuration

规格 Specification	电流 Current	线缆配置 Cable Configuration
MGAC-S-013A-VB-YY-5.0M-XXAH	13A	3x2.5mm <sup>2</sup> +0.75mm <sup>2</sup>

注：线缆长度按需求。  
Note: Cable length according to client request.

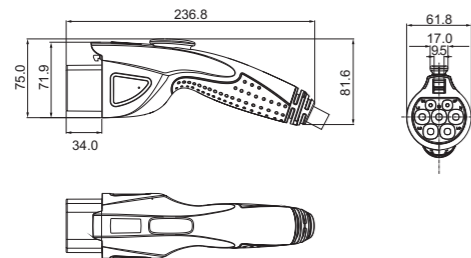
## 国标交流充电枪 GB/T AC EV Charger (CN)



**车辆端：**电动汽车AC充电枪，配置车辆充电插头及线缆，通过GB/T车辆插口以交流电（AC）为电动汽车（EV）快速充电，安装于电动汽车充电桩。  
**车辆端+供电端：**电动汽车AC移动式充电枪，配置车辆插头和供电插头，通过GB/T车辆插口和供电插口以交流电（AC）为电动汽车（EV）快速充电。

Vehicle Side: Electric Vehicle AC Charger, configuration of vehicles connector and customized cable. AC Fast Charging for EV via GB/T Vehicle socket, installed in EV Charging Point.  
 Vehicle Side+Power Supply Side: Electric Vehicle AC Charger with portable cable, configuration of vehicles connector and power supply plug. AC Fast Charging for EV via GB/T Vehicle socket and Power Supply Socket.

### 产品尺寸示意图 Dimension drawing



### 产品特点 Product characteristics

- 造型美观、手柄设计符合人机工程学原理，握感舒适。  
Attractive appearance, ergonomics handle design, comfortable handle feeling.
- 温度监控功能，充电更安全。  
Temperature monitor function available to ensure a safer charging.
- 插头采用安全绝缘设计，防止人手意外接触。  
Safe insulation design for plug to prevent accidental electric shock.
- 优越的防护性能、可靠性的材料。  
Excellent protection performance, reliable material.

### 产品定义 The product definition

标准 Standard	GB/T 20234.2-2015
充电模式 Charging Mode	3
连接方式 Connection Manner	B,C
充电电流类型 Current Type	AC
外壳颜色 Housing Color	01-灰色、03-黑色 01-Gray 03-Black
线缆颜色 Cable color	B-黑色、O-橙色 B-black O-orange

### 环境条件 Ambient Condition

环境温度（工作） Ambient Temperature (working)	-30~50℃
环境温度（储存） Ambient Temperature (storage)	-40~80℃
最高海拔 Max Altitude	5000M

防护等级 Ingress Protection	工作状态IP55，保护盖IP54 IP55 (working condition) IP54 (with protective cover)
----------------------------	---

### 主要材料 Major Material

插头材料 Plug material	高强度热塑性材料、阻燃等级UL94V-0 Reinforced Thermoplastic, UL94V-0
外壳材料 Housing Material	高强度热塑性材料、阻燃等级UL94V-0 Reinforced Thermoplastic, UL94V-0
保护盖材料 Cap Material	TPU
插针材料 Pin Material	铜合金+表面镀银 Copper Alloy, Ag Plated

### 机械性能 Mechanical Performance

插拔次数 Insertion & Pullout Times	>10000 次 >10000 times
插拔力 Insertion & Pullout Force	<100N
抗冲击力 Withstanding Impact Force	可承受1米高度跌落与2吨汽车碾压 Affordable 1 meter height fell or 2 ton car run over pressure

### 电气特性 Electrical Parameter

额定电流 Rated Current	16A, 32A
额定电压 Rated Voltage	250V/440V
动力插针数 Power Pin Number	3(L, N, PE) 5(L1, L2, L3, N, PE)
信号触点数 Signal Pin Number	2(CC CP)
信号触点的额定电流 Signal Pin Current	2A

### 线缆配置 Cable Configuration

规格 Specification	电流 Current	线缆配置 Cable Configuration
MGAC-S-016A-X-XX-X.XM-XXAH	16A	3x2.5mm <sup>2</sup> +1x0.75mm <sup>2</sup>
MGAC-S-032A-X-XX-X.XM-XXAH	32A	3x6mm <sup>2</sup> +1x0.75mm <sup>2</sup>
MGAC-T-032A-X-XX-X.XM-XXAH	32A	5x6mm <sup>2</sup> +1x0.75mm <sup>2</sup>

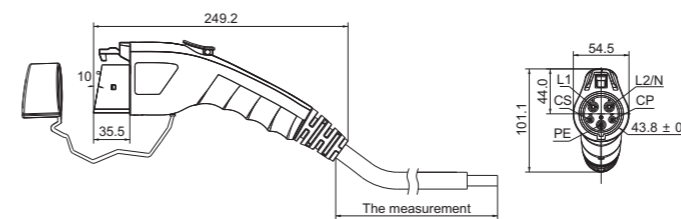
## 美标交流车辆端充电枪 Type1 AC Vehicle Connector (US)



**车辆端：**电动汽车AC充电枪，配置车辆充电插头及自由线缆，通过SAE J1772车辆插口以交流电（AC）为电动汽车（EV）快速充电，安装于电动汽车充电桩。

Vehicle Side: Electric Vehicle AC Charger, configuration of vehicles connector and customized cable. AC fast Charging for EV via SAE J1772 Vehicle socket, installed in EV Charging Point.

### 产品尺寸示意图 Dimension drawing



### 产品特点 Product characteristics

- 充电枪外形流畅简洁，手柄握感舒服，操作方便安全。  
Concise and flowing appearance, comfortable handle, safe and convenient operation.
- 充电枪符合SAE J1772-2017标准，互换使用性好。  
EV-charger meets SAE J1772-2017 standard and has good interchangeability.
- 充电枪线缆应用于电动汽车充电，可采用模式2，模式3充电。  
EV-charger cabling are used in electric vehicle charging, suitable for Charging in both mode 2 and mode 3.

### 产品定义 The product definition

标准 Standard	SAE J1772-2017
充电模式 Charging Mode	2,3
连接方式 Connection Manner	C
充电电流类型 Current Type	AC
外壳颜色 Housing Color	03-黑色 03-Black
线缆颜色 Cable color	03-黑色 03-black

### 环境条件 Ambient Condition

环境温度（工作） Ambient Temperature (working)	-30~50℃
环境温度（储存） Ambient Temperature (storage)	-40~80℃
防护等级 Ingress Protection	Type 3S

### 主要材料 Major Material

插头材料 Plug material	高强度热塑性材料、阻燃等级UL94V-0 Reinforced Thermoplastic, UL94V-0
外壳材料 Housing Material	高强度热塑性材料、阻燃等级UL94V-0 Reinforced Thermoplastic, UL94V-0
保护盖材料 Cap Material	TPU
插针材料 Pin Material	铜合金+表面镀银 Copper Alloy, Ag Plated

### 机械性能 Mechanical Performance

插拔次数 Insertion & Pullout Times	>10000 次 >10000 times
插拔力 Insertion & Pullout Force	<75N
抗冲击力 Withstanding Impact Force	可承受1米高度跌落与2吨汽车碾压 Affordable 1 meter height fell or 2 ton car run over pressure

### 电气特性 Electrical Parameter

额定电流 Rated Current	16A, 32A, 40A
额定电压 Rated Voltage	120V/240V
动力插针数 Power Pin Number	3(PE, L, N)
信号触点数 Signal Pin Number	2(CS, CP)
信号触点的额定电流 Signal Pin Current	2A
绝缘电阻 Insulation Resistance	≥5MΩ, 500V DC 1min

### 线缆配置 Cable Configuration

规格 Specification	电流 Current	线缆配置 Cable Configuration
MAAC-S-016A-V-YY-X.XM-XXAH	16A	UL62 EV 3x12AWG+1x18AWG
MAAC-S-032A-V-YY-X.XM-XXAH	32A	UL62 EV 3x10AWG+1x18AWG
MAAC-S-040A-V-YY-X.XM-XXAH	40A	UL62 EV 3x8AWG+1x18AWG

注：线缆长度按需求。  
Note: Cable length according to client request.

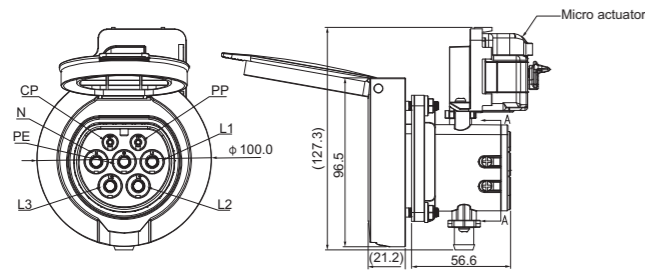
## 欧标交流车辆端插座 Type 2 AC Socket-Outlet



交流充电枪电源插座保证插拔数十万次，带微型执行器和微型执行器测试机理，紧急温控装置机械解锁机构可选，特点：退出插头后完成充电和盖子自动关闭，实现IP保护功能。

Power supply sockets of EV AC charger, guarantee more than ten thousands times plug and withdrawal, with Micro actuator and Micro actuator test mechanism, mechanical unlock mechanism for emergency temperature control device is optional, distinct feature: withdraw connector after finishing charging and cover lid automatic close to achieve IP protection function.

### Dimension drawing



### Product characteristics

- 模块化设计，适合前板安装。  
Modular Design, Fit For Front-Board Installment.
- 温度监控器，更安全充电。  
Temperature Monitor, More Safety Charging.
- 卓越的保护性能，可靠的材料。  
Excellent Protection Performance, Reliable Material.

### 产品定义 The product definition

标准 Standard	IEC62196-2:2016
充电模式 Charging Mode	3
连接方式 Connection Manner	B
充电电流类型 Current Type	AC
外壳颜色 Housing Color	03-黑色 03-Black

### 环境条件 Ambient Condition

环境温度（工作） Ambient Temperature (working)	-30~50℃
环境温度（储存） Ambient Temperature (storage)	-40~80℃
最高海拔 Max Altitude	5000M
防护等级 Ingress Protection	IP54

### 主要材料 Major Material

插头材料 Plug material	Reinforced Thermoplastic, UL94V-0
外壳材料 Housing Material	Copper Alloy, Ag Plated

### 机械性能 Mechanical Performance

插拔次数 Insertion & Pullout Times	>10000 times
插拔力 Insertion & Pullout Force	<100N

### 电气特性 Electrical Parameter

额定电流 Rated Current	16A, 32A
额定电压 Rated Voltage	250V/480V
动力插孔数 Number of power Socket	3(L, N, PE) 5(L1, L2, L3, N, PE)
信号触点数 Signal Pin Number	2(CC, CP)
信号触点的额定电流 Signal Pin Current	2A
绝缘电阻 Insulation Resistance	≥5MΩ 500V DC 1min
温度监控 Temperature Monitor	PT1000(Optional)
微型执行器驱动 Micro actuator driven Voltage	DC 12V
电流消耗 Current consumption	<2.4A
微型执行器工作时间 Micro actuator Work Time	40ms<t<200ms
微型执行器旋转角度 Micro actuator rotation angle	80°

### 线缆配置 Cable Configuration

规格 Specification	电流 Current	线缆配置 Cable Configuration
FEAC-S-016A-P-YY-X.XM-XXAH	16A single phase	3x2.5mm <sup>2</sup> +2x0.75mm <sup>2</sup>
FEAC-S-032A-P-YY-X.XM-XXAH	32A single phase	3x6mm <sup>2</sup> +2x0.75mm <sup>2</sup>
FEAC-T-016A-P-YY-X.XM-XXAH	16A three phase	5x2.5mm <sup>2</sup> +2x0.75mm <sup>2</sup>
FEAC-T-032A-P-YY-X.XM-XXAH	32A three phase	5x6.0mm <sup>2</sup> +2x0.75mm <sup>2</sup>

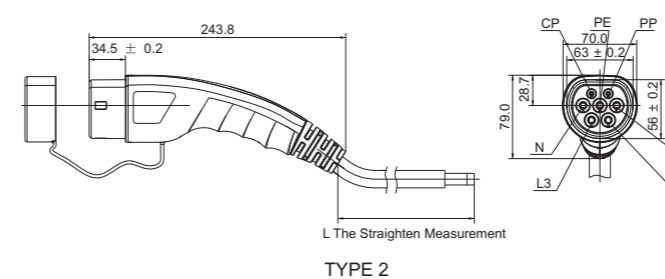
## 欧标交流车辆端充电枪 Type2 AC Vehicle Connector (EU)



车辆端：电动汽车AC充电电缆，配置车辆充电插头及自由线缆，通过 IEC 62196.2-2014 车辆插口以交流电（AC）为电动汽车（EV）快速充电，安装于电动汽车充电桩。

Vehicle Side: Electric Vehicle AC Charger, configuration of vehicles connector and customized cable for EV via IEC 62196.2-2014 Vehicle socket, installed in EV Charging Point.

### 产品尺寸示意图 Dimension drawing



### 产品定义 The product definition

标准 Standard	IEC 62196.2-2016
充电模式 Charging Mode	2,3
连接方式 Connection Manner	C
充电电流类型 Current Type	AC
外壳颜色 Housing Color	03-黑色 03-Black
线缆颜色 Cable color	03-黑色 03-black

### 环境条件 Ambient Condition

环境温度（工作） Ambient Temperature (working)	-30~50℃
环境温度（储存） Ambient Temperature (storage)	-40~80℃
防护等级 Ingress Protection	IP54

### 主要材料 Major Material

插头材料 Plug material	高强度热塑性材料、阻燃等级UL94V-0 Reinforced Thermoplastic, UL94V-0
外壳材料 Housing Material	高强度热塑性材料、阻燃等级UL94V-0 Reinforced Thermoplastic, UL94V-0
保护盖材料 Cap Material	TPU
插针材料 Pin Material	铜合金+表面镀银 Copper Alloy, Ag Plated

### 产品特点 Product characteristics

- 充电枪外形流畅简洁，手柄握感舒服，操作方便安全。  
Concise and flowing appearance, comfortable handle, safe and convenient operation.
- 充电枪符合IEC62196.2-2014标准，互换使用性好。  
EV-charger meets IEC62196.2-2014 standard and has good interchangeability.
- 充电枪线缆应用于电动汽车充电，可采用模式2，模式3充电。  
EV-charger cabling are used in electric vehicle charging, suitable for Charging in both mode 2 and mode 3.

### 机械性能 Mechanical Performance

插拔次数 Insertion & Pullout Times	>10000 次 >10000 times
插拔力 Insertion & Pullout Force	<100N
抗冲击力 Withstanding Impact Force	可承受1米高度跌落与2吨汽车碾压 Affordable 1 meter height fell or 2 ton car run over pressure

### 电气特性 Electrical Parameter

额定电流 Rated Current	16A, 32A
额定电压 Rated Voltage	250V/440V
动力插针数 Power Pin Number	3(L, N, PE) 5(L1, L2, L3, N, PE)
信号触点数 Signal Pin Number	2(PP CP)
信号触点的额定电流 Signal Pin Current	2A
绝缘电阻 Insulation Resistance	≥5MΩ , 500V DC 1min

### 线缆配置 Cable Configuration

规格 Specification	电流 Current	线缆配置 Cable Configuration
MEAC-S-016A-V1-YY-X.XM-XXAH	16A single phase	En50620 EV 3*2.5mm <sup>2</sup> +1*0.75mm <sup>2</sup>
MEAC-S-032A-V1-YY-X.XM-XXAH	32A single phase	En50620 EV 3*6.0mm <sup>2</sup> +1*0.75mm <sup>2</sup>
MEAC-T-016A-V1-YY-X.XM-XXAH	16A three phase	En50620 EV 5*2.5mm <sup>2</sup> +1*0.75mm <sup>2</sup>
MEAC-T-032A-V1-YY-X.XM-XXAH	32A three phase	En50620 EV 5*6.0mm <sup>2</sup> +1*0.75mm <sup>2</sup>

注：线缆长度按需求。  
Note: Cable length according to client request.

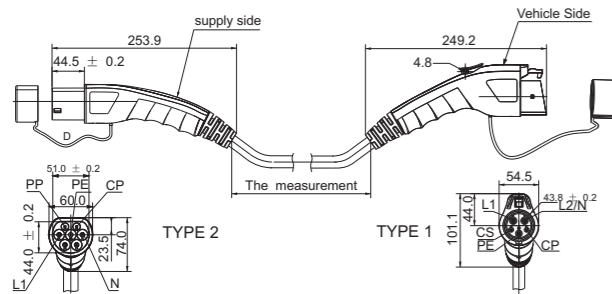
## 美标、欧标交流双头充电枪 Type 1 AC Vehicle connector with Type 2 Power supply plug



**车辆端+供电端：**电动汽车AC移动式充电枪，配置车辆插头和供电插头，通过SAE J1772-2017和IEC 62196.2-2014车辆插口和供电插口以交流电（AC）为电动汽车（EV）快速充电。

**Vehicle Side+Power Supply Side:** Electric Vehicle AC Charger with portable cable, configuration of the vehicles connector and power supply plug. AC fast Charging for EV via SAE J1772-2017 and IEC 62196.2-2014 Vehicle socket and Power Supply Socket.

### 产品尺寸示意图 Dimension drawing



### 产品特点 Product characteristics

- 充电枪外形流畅简洁，手柄握感舒服，操作方便安全。  
Concise and flowing appearance, comfortable handle, safe and convenient operation.
- 充电枪符合SAE J1772-2017和IEC 62196.2-2014标准，互换使用性好。  
EV-charger meets SAE J1772-2017 and IEC 62196.2-2014 standard and has good interchangeability.
- 充电枪线缆应用于电动汽车充电，可采用模式3充电。  
EV-charger cabling are used in electric vehicle charging, suitable for Charging in mode 3.

### 产品定义 The product definition

标准 Standard	IEC 62196-2:2016
充电模式 Charging Mode	3
连接方式 Connection Manner	B
充电电流类型 Current Type	AC
外壳颜色 Housing Color	03-黑色 03-Black
线缆颜色 Cable color	03-黑色 03-black

### 环境条件 Ambient Condition

环境温度（工作） Ambient Temperature (working)	-30~50℃
环境温度（储存） Ambient Temperature (storage)	-40~80℃
防护等级 Ingress Protection	IP54

### 主要材料 Major Material

插头材料 Plug material	高强度热塑性材料、阻燃等级UL94V-0 Reinforced Thermoplastic, UL94V-0
外壳材料 Housing Material	高强度热塑性材料、阻燃等级UL94V-0 Reinforced Thermoplastic, UL94V-0
保护盖材料 Cap Material	TPU
插针材料 Pin Material	铜合金+表面镀银 Copper Alloy, Ag Plated

### 机械性能 Mechanical Performance

插拔次数 Insertion & Pullout Times	>10000 次 >10000 times
插拔力 Insertion & Pullout Force	<100N(P) <75N(V)
抗冲击力 Withstanding Impact Force	可承受1米高度跌落与2吨汽车碾压 Affordable 1 meter height fell or 2 ton car run over pressure

### 电气特性 Electrical Parameter

额定电流 Rated Current	16A, 32A
额定电压 Rated Voltage	250V
动力插针数 Power Pin Number	3(L, N, PE)
信号触点数 Signal Pin Number	2(PP, CP)
信号触点的额定电流 Signal Pin Current	2A
绝缘电阻 Insulation Resistance	≥5MΩ, 500V DC 1min

### 线缆配置 Cable Configuration

规格 Specification	电流 Current	线缆配置 Cable Configuration
MHAC-S-016A-VP1-XX-X.XM-XXAH	16A	EV 3*2.5mm <sup>2</sup> +1*0.75mm <sup>2</sup>
MHAC-S-032A-VP1-XX-X.XM-XXAH	32A	EV 3*6.0mm <sup>2</sup> +1*0.75mm <sup>2</sup>

注：线缆长度按需求。  
Note: Cable length according to client request.

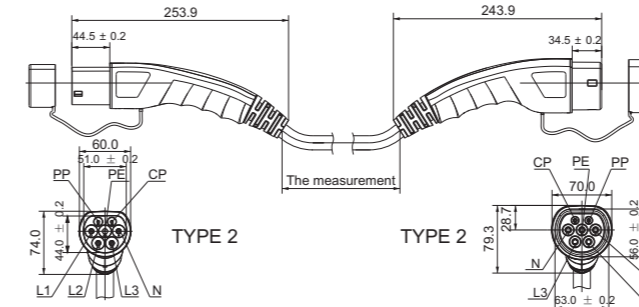
## 欧标交流双头充电枪 Type 2 AC Vehicle connector with Type 2 Power supply plug



**车辆端+供电端：**电动汽车AC移动式充电枪，配置车辆插头和供电插头，通过IEC 62196.2-2014车辆插口和供电插口以交流电（AC）为电动汽车（EV）快速充电。

**Vehicle Side+Power Supply Side:** Electric Vehicle AC Charger with portable cable, configuration of the vehicles connector and power supply plug AC fast Charging for EV via IEC 62196.2-2014 Vehicle socket and Power Supply Socket.

### 产品尺寸示意图 Dimension drawing



### 产品特点 Product characteristics

- 充电枪外形流畅简洁，手柄握感舒服，操作方便安全。  
Concise and flowing appearance, comfortable handle, safe and convenient operation.
- 充电枪符合IEC 62196.2-2014标准，互换使用性好。  
EV-charger meets IEC 62196.2-2014 standard and has good interchangeability.
- 充电枪线缆应用于电动汽车充电，可采用模式3充电。  
EV-charger cabling are used in electric vehicle charging, suitable for Charging in mode 3.

### 产品定义 The product definition

标准 Standard	IEC 62196-2:2016
充电模式 Charging Mode	3
连接方式 Connection Manner	B
充电电流类型 Current Type	AC
外壳颜色 Housing Color	03-黑色 03-Black
线缆颜色 Cable color	03-黑色 03-black

### 环境条件 Ambient Condition

环境温度（工作） Ambient Temperature (working)	-30~50℃
环境温度（储存） Ambient Temperature (storage)	-40~80℃
防护等级 Ingress Protection	IP54

### 主要材料 Major Material

插头材料 Plug material	高强度热塑性材料、阻燃等级UL94V-0 Reinforced Thermoplastic, UL94V-0
外壳材料 Housing Material	高强度热塑性材料、阻燃等级UL94V-0 Reinforced Thermoplastic, UL94V-0
保护盖材料 Cap Material	TPU
插针材料 Pin Material	铜合金+表面镀银 Copper Alloy, Ag Plated

### 机械性能 Mechanical Performance

插拔次数 Insertion & Pullout Times	>10000 次 >10000 times
插拔力 Insertion & Pullout Force	<100N
抗冲击力 Withstanding Impact Force	可承受1米高度跌落与2吨汽车碾压 Affordable 1 meter height fell or 2 ton car run over pressure

### 电气特性 Electrical Parameter

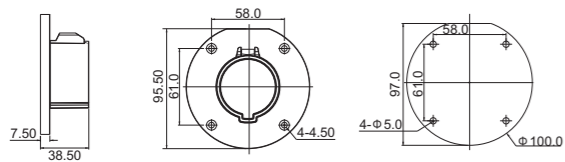
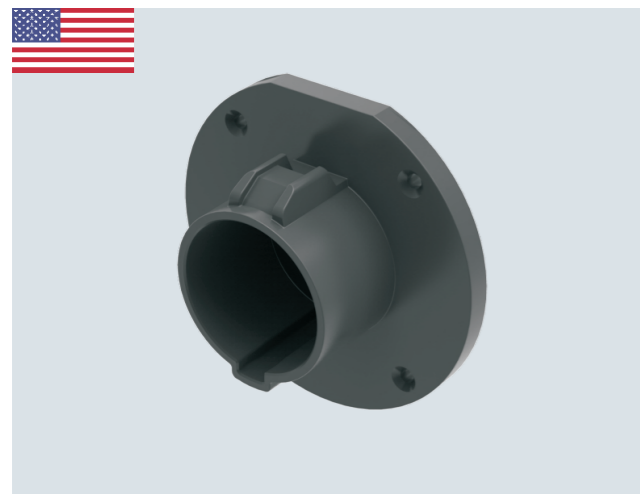
额定电流 Rated Current	16A, 32A
额定电压 Rated Voltage	250V/440V
动力插针数 Power Pin Number	3(L, N, PE) 5(L1, L2, L3, N, PE)
信号触点数 Signal Pin Number	2(PP, CP)
信号触点的额定电流 Signal Pin Current	2A
绝缘电阻 Insulation Resistance	≥5MΩ, 500V DC 1min

### 线缆配置 Cable Configuration

规格 Specification	电流 Current	线缆配置 Cable Configuration
MEAC-S-016A-V1P1-YY-X.XM-XXAH	16A single phase	PrEN50620 EV 3*2.5mm <sup>2</sup> +1*0.75mm <sup>2</sup>
MEAC-S-032A-V1P1-YY-X.XM-XXAH	32A single phase	PrEN50620 EV 3*6.0mm <sup>2</sup> +1*0.75mm <sup>2</sup>
MEAC-T-016A-V1P1-YY-X.XM-XXAH	16A three phase	PrEN50620 EV 5*2.5mm <sup>2</sup> +1*0.75mm <sup>2</sup>
MEAC-T-032A-V1P1-YY-X.XM-XXAH	32A three phase	PrEN50620 EV 5*6.0mm <sup>2</sup> +1*0.75mm <sup>2</sup>

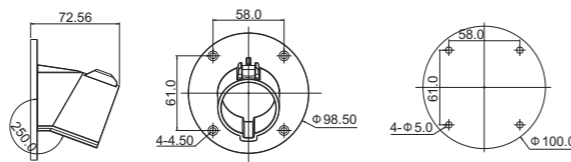
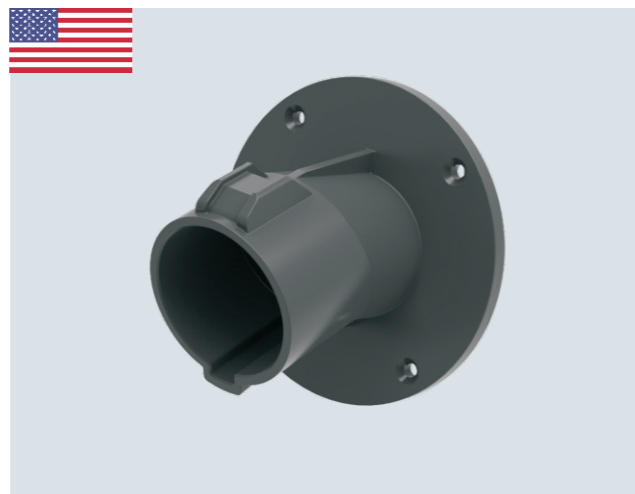
注：线缆长度按需求。  
Note: Cable length according to client request.

## Power supply socket



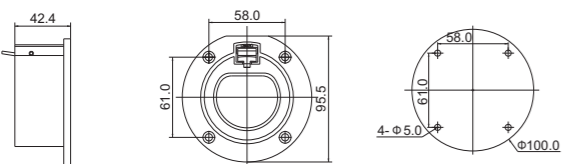
FAAC-V-03-01AH

Inflammability class UL94V-0



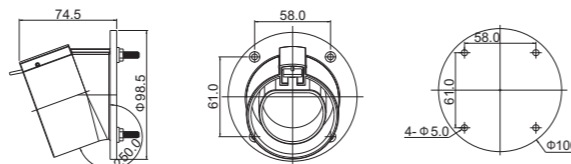
FAAC-V-03-02AH

Inflammability class UL94V-0



FEAC-V-03-01AH

Inflammability class UL94V-0



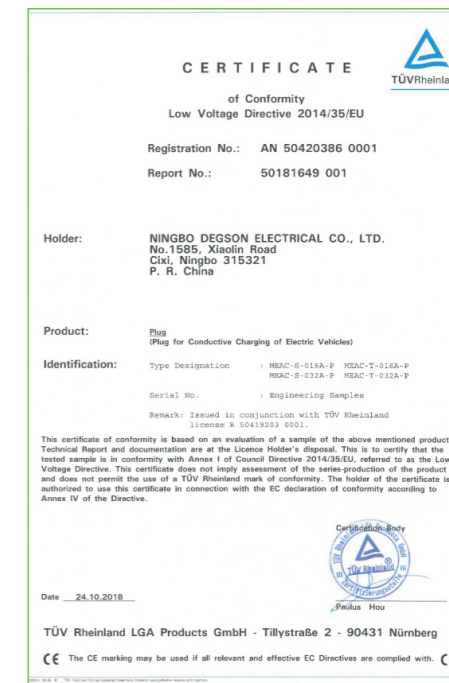
FEAC-V-03-02AH

Inflammability class UL94V-0

## Certificate (1)



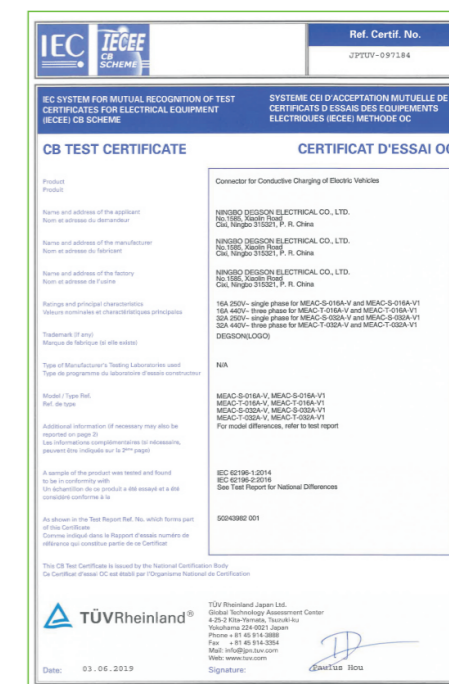
欧标供电端CB证书  
European Standard Power Supply Plug CB Certificate



欧标供电端CE证书  
European Standard Power Supply Plug CE Certificate



欧标供电端TUV证书  
European Standard Power Supply Plug TUV Certificate



欧标车辆端CB证书  
European Standard Vehicle CB Certificate

### Certificate (2)

**CERTIFICATE** of Conformity  
of Low Voltage Directive 2014/35/EU

Registration No.: AN 50420385 0001  
Report No.: 50181648 001

**Holder:** NINGBO DEGSON ELECTRICAL CO., LTD.  
No.1585, Xiaolin Road  
Cixi, Ningbo 315321  
P. R. China

**Product:** Connector  
(Connector for Conductive Charging of Electric Vehicles)

**Identification:**  
Type Designation : M2AC-S-016A-V M2AC-T-016A-V  
M2AC-S-032A-V M2AC-T-032A-V  
Serial No. : Engineering Sample  
Remark: Issued in conjunction with TÜV Rheinland  
license R 50419202 0001.

This certificate of conformity is based on an evaluation of a sample of the above mentioned product. Technical Report and documentation are at the License Holder's disposal. This is to certify that the tested sample is in conformity with Annex I of Council Directive 2014/35/EU, referred to as the Low Voltage Directive. This certificate does not imply assessment of the series-production of the product and does not permit the use of a TÜV Rheinland mark of conformity. The holder of the certificate is authorized to use this certificate in connection with the EC declaration of conformity according to Annex IV of the Directive.

Date: 24.10.2018

TÜV Rheinland LGA Products GmbH - Tillystraße 2 - 90431 Nürnberg

The CE marking may be used if all relevant and effective EC Directives are complied with.

欧标车辆端CE证书  
European Standard  
Vehicle CE Certificate

**Zertifikat** Certificate of Conformity  
of Low Voltage Directive 2014/35/EU

Zertifikat No. / Certificate No. R 50419202  
Blatt / Sheet 0001

Das Zeichen / Case Reference: Unser Zeichen / Our Reference: Anmeldedatum / Date of Issue: L. P. B.: 01-2M-50181648 001 24.10.2018 (dd/mm/yy)

**Hersteller / License Holder:** NINGBO DEGSON ELECTRICAL CO., LTD.  
No.1585, Xiaolin Road  
Cixi, Ningbo 315321  
P. R. China

**Fertigstellung / Manufacturing Plant:** NINGBO DEGSON ELECTRICAL CO., LTD.  
No.1585, Xiaolin Road  
Cixi, Ningbo 315321  
P. R. China

**Prüfzeichen / Test Mark:** Gegründet nach / Founded on: EN 62196-1:2014 EN 62196-2:2017

**Zertifizierte Produkt / Certified Product:** CONNECTOR (Connector for Conductive Charging of Electric Vehicles)

**Type Designation:** 1) M2AC-S-016A-V 2) M2AC-T-016A-V 3) M2AC-S-032A-V 4) M2AC-T-032A-V

**Rated Voltage:** 1) 31 AC 250V (Single-Phase) 2) 41 AC 400V (Three-Phase) 3) 41 32A

**Rated Current:** 1) 21 16A 3) 41 32A

**Kind of Construction:** Standard Sheet 2-11e

**Configuration:** Type 2

**Degree of Protection:** IP54

**ANLAGE (Appendix):** 1. 0

This certificate of conformity is based on an evaluation of a sample of the above mentioned product. Technical Report and documentation are at the License Holder's disposal. This is to certify that the tested sample is in conformity with Annex I of Council Directive 2014/35/EU, referred to as the Low Voltage Directive. This certificate does not imply assessment of the series-production of the product and does not permit the use of a TÜV Rheinland mark of conformity. The holder of the certificate is authorized to use this certificate in connection with the EC declaration of conformity according to Annex IV of the Directive.

Date: 24.10.2018

TÜV Rheinland LGA Products GmbH - Tillystraße 2 - 90431 Nürnberg

The CE marking may be used if all relevant and effective EC Directives are complied with.

欧标车辆端TUV证书  
European Standard  
Vehicle CB Certificate

### Certificate (3)

**CERTIFICATE OF COMPLIANCE**

Certificate Number: 20190429-E505319  
Report Reference: E505319-20190423  
Issue Date: 2019-APRIL-29

**Issued to:** NINGBO DEGSON ELECTRICAL CO LTD  
XIAOLIN  
CIXI  
NINGBO  
ZHEJIANG 315321 CHINA

This certificate confirms that representative samples of COMPONENT - ELECTRIC VEHICLE PLUGS, RECEPTACLES AND COUPLERS See addendum page

Have been investigated by UL in accordance with the component requirements in the Standard(s) indicated on this Certificate. UL Recognized components are incomplete in certain constructional features and are intended for installation in complete equipment submitted for investigation to UL LLC.

**Standard(s) for Safety:** UL 2251 Plugs, Receptacles, and Couplers for Electric Vehicles  
CSA C22.2 No. 282-17 Plugs, Receptacles, and Couplers for Electric Vehicles  
UL 50E ENCLOSURES FOR ELECTRICAL EQUIPMENT, ENVIRONMENTAL CONSIDERATIONS  
CSA C22.2 No. 94.2-15 ENCLOSURES FOR ELECTRICAL EQUIPMENT, ENVIRONMENTAL CONSIDERATIONS

**Additional Information:** See the UL Online Certifications Directory at <https://iq.ulprospector.com> for additional information.

This Certificate of Compliance does not provide authorization to apply the UL Recognized Component Mark. Only the UL Follow-Up Services Procedure provides authorization to apply the UL Mark.

Date: 2019-APRIL-29

TÜV Rheinland LGA Products GmbH - Tillystraße 2 - 90431 Nürnberg

The CE marking may be used if all relevant and effective EC Directives are complied with.

美标车辆端UL证书  
American Standard  
Vehicle UL Certificate

**CERTIFICATE OF COMPLIANCE**

Certificate Number: 20190429-E505319  
Report Reference: E505319-20190423  
Issue Date: 2019-APRIL-29

Only those products bearing the UL Recognized Component Mark should be considered as being UL Certified and covered under UL's Follow-Up Services. Look for the UL Recognized Component Mark on the product.

This is to certify that representative samples of the product as specified on this certificate were tested according to the current UL requirements.

**Models:** USR CNR - Component Connector for Electric Vehicles, Cat. Nos. MAAC-S-016A-V, MAAC-S-032A-V, MAAC-S-040A-V, followed by G3, followed by X.XM, followed by 00 Bru 9999, followed by AH.

# X can be any number which means cable length

This Certificate of Compliance does not provide authorization to apply the UL Recognized Component Mark. Only the UL Follow-Up Services Procedure provides authorization to apply the UL Mark.

Date: 2019-APRIL-29

TÜV Rheinland LGA Products GmbH - Tillystraße 2 - 90431 Nürnberg

The CE marking may be used if all relevant and effective EC Directives are complied with.

美标车辆端UL证书  
American Standard  
Vehicle UL Certificate

**IEC SYSTEM FOR MUTUAL RECOGNITION OF TEST CERTIFICATES FOR ELECTRICAL EQUIPMENT (IECEE) CB SCHEME**

Ref. Certif. No.: JPTUV-097476

**CB TEST CERTIFICATE** CERTIFICAT D'ESSAI OC

**Product:** Connector for Conductive Charging of Electric Vehicles

**Name and address of the applicant:** NINGBO DEGSON ELECTRICAL CO., LTD.  
No.1585, Xiaolin Road  
Cixi, Ningbo 315321, P. R. China

**Name and address of the manufacturer:** NINGBO DEGSON ELECTRICAL CO., LTD.  
No.1585, Xiaolin Road  
Cixi, Ningbo 315321, P. R. China

**Name and address of the factory:** NINGBO DEGSON ELECTRICAL CO., LTD.  
No.1585, Xiaolin Road  
Cixi, Ningbo 315321, P. R. China

**Rating and principal characteristics:** 16A 250V - by MAAC-S-016A-V  
32A 250V - by MAAC-S-032A-V

**Trademark (if any):** DEGSON LOGO

**Type of Manufacturer's Testing Laboratories used:** NA

**Model / Type Ref. / Ref. de type:** MAAC-S-016A-V, MAAC-S-032A-V

**For model differences, refer to test report**

**Additional information (if necessary) may also be reported on page 2:** See information complementary to information presented here indicated on the 2<sup>nd</sup> page

**A sample of the product was tested and found to be in conformity with the requirements as set out in the applicable standard referred to in the Test Report for National Differences**

**As shown in the Test Report Ref. No. which forms part of the Certificate:** 50250173 001

**This CB Test Certificate is issued by the National Certification Body:** TÜV Rheinland LGA Products GmbH - Tillystraße 2 - 90431 Nürnberg

Date: 04.04.2019

TÜV Rheinland LGA Products GmbH - Tillystraße 2 - 90431 Nürnberg

The CE marking may be used if all relevant and effective EC Directives are complied with.

美标车辆端CB证书  
American Standard  
Vehicle CB Certificate

**CERTIFICATE** of Conformity  
of Low Voltage Directive 2014/35/EU

Registration No.: AN 50438286 0001  
Report No.: 50250173 001

**Holder:** NINGBO DEGSON ELECTRICAL CO., LTD.  
No.1585, Xiaolin Road  
Cixi, Ningbo 315321  
P. R. China

**Product:** Connector  
(Connector for Conductive Charging of Electric Vehicles)

**Identification:**  
Type Designation : MAAC-S-016A-V MAAC-S-032A-V  
Serial No. : Engineering Sample  
Remark: Refer to test report 50250173 001 for details.

This certificate of conformity is based on an evaluation of a sample of the above mentioned product. Technical Report and documentation are at the License Holder's disposal. This is to certify that the tested sample is in conformity with Annex I of Council Directive 2014/35/EU, referred to as the Low Voltage Directive. This certificate does not imply assessment of the series-production of the product and does not permit the use of a TÜV Rheinland mark of conformity. The holder of the certificate is authorized to use this certificate in connection with the EC declaration of conformity according to Annex IV of the Directive.

Date: 05.06.2019

TÜV Rheinland LGA Products GmbH - Tillystraße 2 - 90431 Nürnberg

The CE marking may be used if all relevant and effective EC Directives are complied with.

美标车辆端CE证书  
American Standard  
Vehicle CE Certificate

**检验报告**

电动汽车直流充电接口

产品名称: 电动汽车直流充电接口  
产品型号: 见附录A“表1 样品型号”  
受检单位: 宁波高正电子有限公司  
检验类别: 强制性检验

国家轿车质量监督检验中心

国标直流枪强检证书  
GB DC EV-Charger Mandatory  
Inspection Certificate

**检验报告**

电动汽车交流充电接口

产品名称: 电动汽车交流充电接口  
产品型号: 见附录A“表1 样品型号”  
受检单位: 宁波高正电子有限公司  
检验类别: 强制性检验

国家轿车质量监督检验中心

国标交流枪强检证书  
GB AC EV-Charger Mandatory  
Inspection Certificate