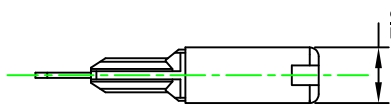
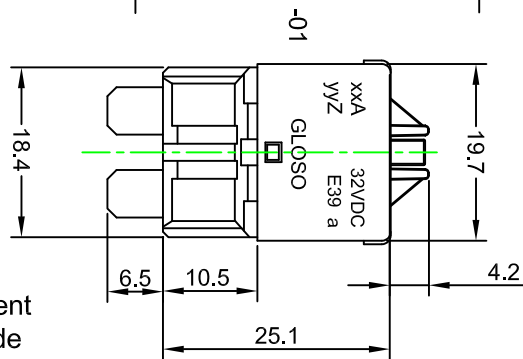
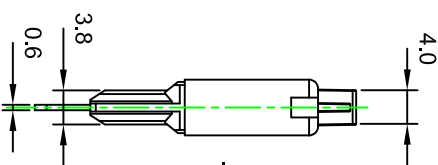


Type 1,
auto reset
12VDC



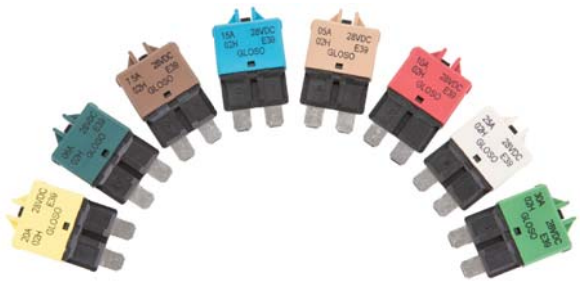
Type 3,
manual reset
32VDC



xx= rate current
yy= week code
Z = year code

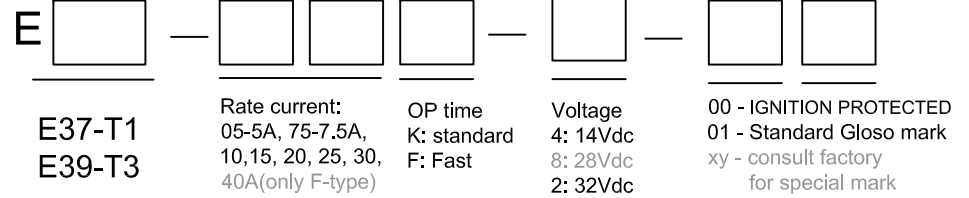
a=K(std) or F(fast)

□ Color code



- 05-5A: LT. brown
- 06-6A: moss green
- 75-7.5A: brown
- 10-10A: red
- 15-15A: blue
- 20-20A: yellow
- 25-25A: white
- 30-30A: green
- 40-40A: orange

REV	Item	Date	Description	Revised By	Remark
A/2	1				
	2				
	3				



Single Pole Thermal Type Breakers

E37, T1-12Vdc - auto reset,
E39, T3-28/32Vdc - manual reset

Rating: 5-30A (K-Type), 7.5-40A (F-Type)

Breaking capacity: >100 operations @ 4lr

Voltage drop: <150 mV

Interrupt capacity: 2000A @ 28Vdc

Operating Temperature Rating:

-40F(-40C) to 185F(85C)

Storage Temperature Rating:

-40F(-40C) to 260F(125C)

Materials:

UL-Rate 94V-0 thermoplastic body.

Tin-plated copper alloy terminals

Marking: Color-code to amperage.

05-5A (light brown, tan)

06-6A (moss green) 75-7.5A (brown)

10-10A (red) 15-15A (blue)

20-20A (yellow) 25-25A (white)

30-30A (green) 40-40A (orange)

Termination:

5.2mm wide blades
meet ATC type fuse block.

cross to 227
1610(std)
1616(fast)

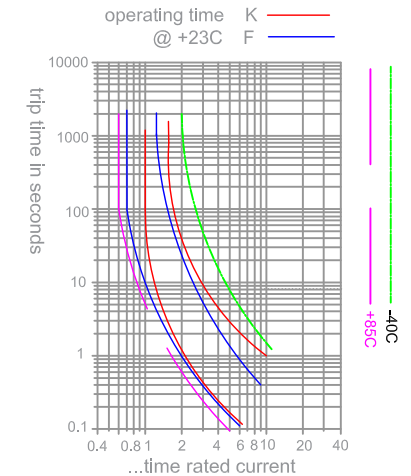
Compliance:

SAE J553, ISO10924-4 (all series)

UL1500, SAE J1171, Ignition protected.

std K type, 5-30A, hold on 100% rate current

fast trip F type, 7.5-40A, hold on 70% of rate



operating time	by sec.	K (std)	F (fast)
0.7 I _R	>3600	>3600	>3600
1 I _R	>1800	>10	>7
1.1 I _R	>10	>7	>7
1.35 I _R	3-600	3-120	3-120
1.6 I _R	2-120	2-50	2-50
2 I _R	1-40	1-12	1-12
3.5 I _R	0.35-6	0.35-2.6	0.35-2.6
6 I _R	0.13-2	0.13-0.8	0.13-0.8

derating factor	ambient temp.	factor	ambient temp.	factor
-40F/-40C	0.73	+73F/+23C	1	
-22F/-30C	0.78	+104F/+40C	1.09	
-4F/-20C	0.82	+122F/+50C	1.16	
+14F/-10C	0.86	+140F/+60C	1.25	
+32F/0C	0.91	+158F/+70C	1.33	
+50F/+10C	0.95	+185F/+85C	1.43	

0<6 ±0.2	50<120 ±0.5	Material	Parts no	E379
6<18 ±0.3	120<250±0.6		Drawing by	宋铁强
18<50 ±0.4	250<400 ±0.7	Date	18.09.01	Check by
Tolerance unless otherwise specified, unit in mm		Issue	A/2	Approve by



Drawing no	E3_79	Model code
------------	-------	------------