

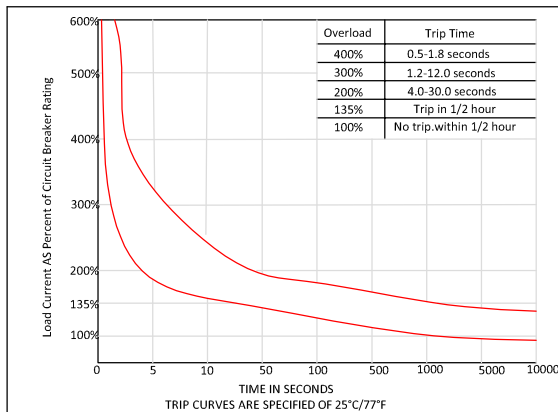
## 102 Series ATC Circuit Breaker

Manual Reset (Type III)/ Auto Reset (Type I)  
Single Pole Thermal Type Breakers

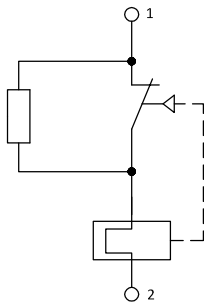
### SPECIFICATIONS

- Rating: 5-30A,32VDC. Manual Reset (Type III)
- Rating: 5-30A,12VDC. Auto Reset (Type I)
- Interrupt Rating: 2,000A / 28VDC.: 2,000A / 28VDC; 1 break operation.
- Operating Temperature Rating: -10°C to 60°C
- Storage Temperature Rating: -30°C to 105°C
- Materials: UL-Rated 94V-0 thermoplastic body.  
Tin-plated copper alloy terminals.
- Termination: 5.2mm wide blades compatible with ATC type fuse blocks.
- Marking: Cover is color-coded to amperage ratings.
- Compliances: SAEJ553; SAEJ1171

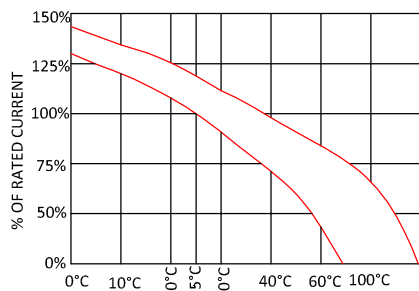
### Trip Time Curves



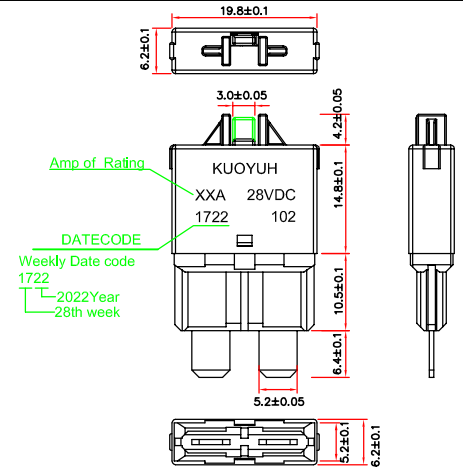
### Internal connection



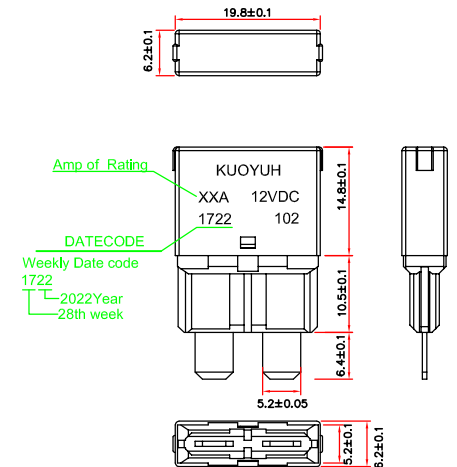
### Temperature Derating Curves



Ambient Temperature	-20°C	-10°C	0°C	10°C	25°C	40°C	50°C	60°C
Derating Factor	0.72	0.82	0.9	0.93	1.00	1.25	1.32	1.38



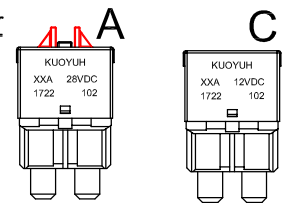
Manual Reset (Type III)  
\* Dimension in mm:  
Exterior: A



Auto Reset (Type I)  
\* Dimension in mm:  
Operation: A (type I)

### Order Guide

Series 102 Rating 100 Operation -M Exterior A



M= Type III (Manual Reset)  
A= Type I (Auto Reset)

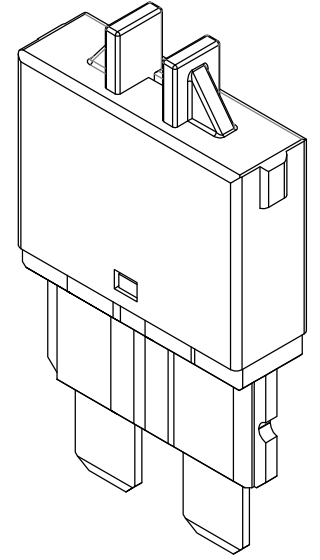
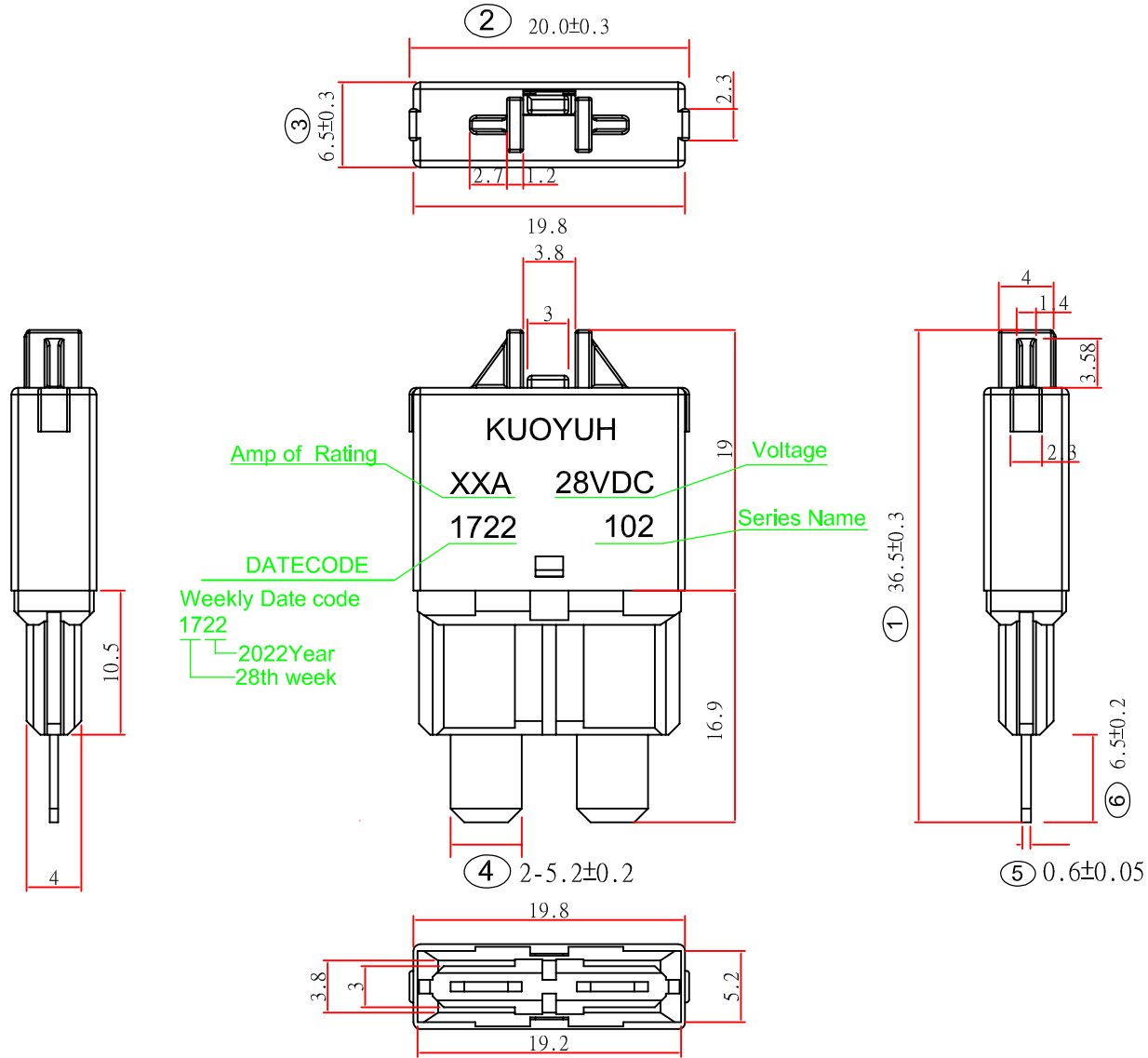
- 050 = 5A=LT. Brown
- 060 = 6A=Moss Green
- 075 = 7.5A=Brown
- 080 = 8A=Brown
- 100 = 10A=Red
- 150 = 15A=Blue
- 200 = 20A=Yellow
- 250 = 25A=White
- 300 = 30A=Green

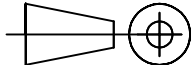



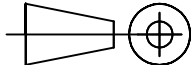
\* The specification subject to change without notice. The drawing is for reference only.

No.	Size Check
①	36.5±0.3
②	20.0±0.3
③	6.5±0.3
④	2-5.2±0.2
⑤	0.6±0.05
⑥	6.5±0.2

Amp Spec & Cover color	
5A	LT. Brown(淺棕色)
6A	Moss Green(深綠色)
7.5A	Brown(棕色)
10A	Red(紅色)
15A	Blue(藍色)
20A	Yellow(黃色)
25A	White(白色)
30A	Green(綠色)

Overload	Trip Time
400%	0.5-1.8 seconds
200%	4.0-30.0 seconds
135%	Trip in 1/2 hour
100%	No trip.within 1/2 hour



NO	DESCRIPTION	APPROVED	DATE	TOLERANCE		APPROVED	DESING	DRAWER	Unit(單位)	mm	
				DIMENSION	TOLERANCE				Scale(比例)		
⑤				XX.XX	±0.05				Scale(比例)		
④			XX.X	±0.1	Rev(版本)				1/1		
③			XX	±0.15	Material(材質)				A/1		
②			ANGLE	TOLERANCE	國郁企業股份有限公司				Title(品名)	102 ATC circuit breaker	
①			X	±1°	KUOYUH W.L. Enterprise Co.,Ltd.	Drawing no.(圖號,料號)	102-XXX-MA				
			X.X	±0.5°							