

SHALCO

SERIES 26 - CONTROL SWITCH RELAY (CSR)

The Shallco Control Switch Relay (CSR) is an electrically operated switch primarily used for the remote or manual operation of an industrial power circuit breaker.

The Control Switch Relay incorporates all the components needed to provide supervisory control without repetitive circuits thus minimizing wiring errors and space.

The Shallco CSR is a very flexible device and can be configured in a wide variety of configurations in addition to the basic Trip and Close Function.

Standard Operating voltages:
125 VDC and 48 VDC.



The lighted front panel LED's also provides various circuit monitoring along with the Trip Coil Monitor with SCADA output.



Features:

- ◆ Local and Remote Operation
- ◆ Optional Control Circuits
- ◆ Microprocessor Controlled.
- ◆ Standard Mechanical Trip/Close Flag
- ◆ Traditional Manual Trip and Close via Pistol Grip.
- ◆ Standard Manual Control Switch, LOR, and LSR mounting pattern.
- ◆ Simple wiring instructions.
- ◆ Available with Lighted Front Panel and Time Delay operation

P.O. Box 1089
308 Components Drive
Smithfield, North Carolina 27577

Phone: 919-934-3135 • Fax: 919-934-3298
Website: www.shallco.com
E-mail: Shallco@shallco.com

Specifications:

Electrical

Continuous Ratings: 30 Amperes - 600 Volts
 UL Interrupt Ratings: 25A - 120VAC | 15A - 240VAC
 6A - 600VAC | 3A - 125VDC
 1A - 250VDC
 Overload Current (50 Ops): 95A - 120VAC | 65A - 240VAC
 35A - 600VAC
 Contact Resistance: 10 milliohms max.
 Contact hold time: .5 – 1 second

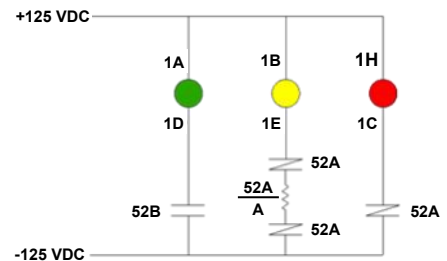
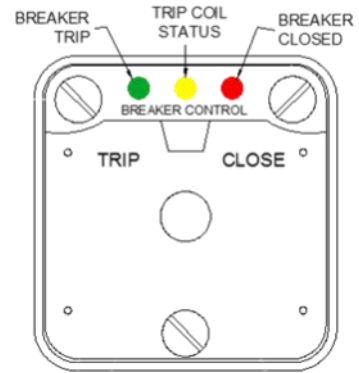
Mechanical

Switching: Break-Before-Make (Non-Shorting)
 Make-Before-Break (Shorting)
 (Standard and Slip Contacts Available)
 Rotor Contact: Phosphor Bronze, Dual Wiper
 Stationary Contact: Silver Plated copper with integral screw
 Construction: Closed
 Angle of Throw: Spring Return (45 degree CW and CCW)

Operational Voltage/Current:

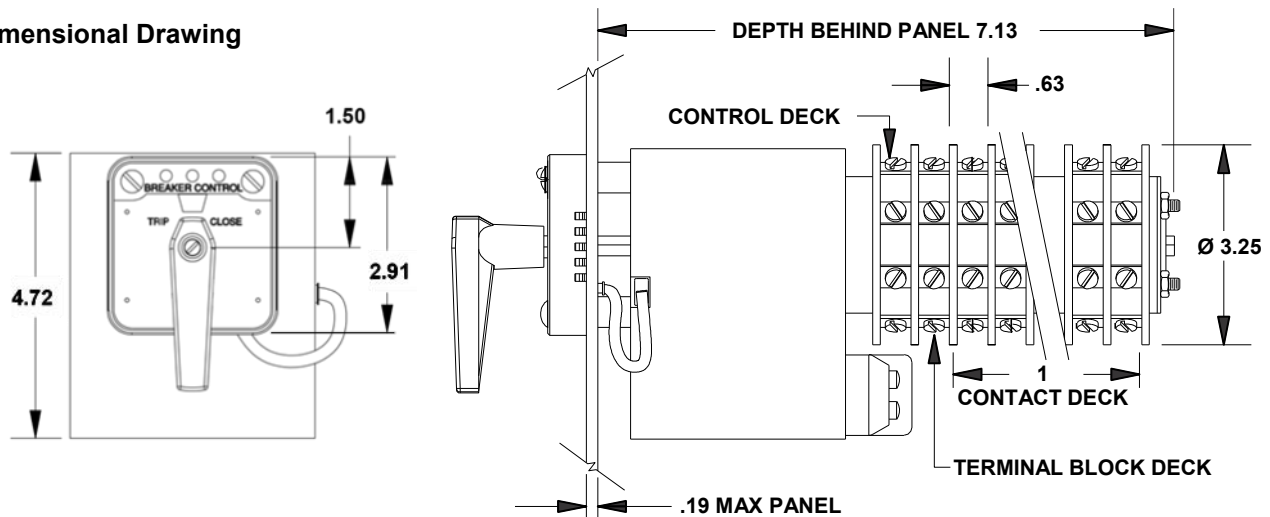
125 VDC/6 .5 amps

LIGHTED PANEL
(STANDARD CONFIGURATION)



LEFT LED In a typical application, it is used to monitor a 52B contact
 RIGHT LED In a typical Application, it is used to monitor a 52A contact.
 CENTER LED In a typical application, it is used as a trip coil monitor.

Dimensional Drawing



Rev.: 02/21



P.O. Box 1089
 308 Components Drive
 Smithfield, North Carolina 27577



Phone: 919-934-3135
 Fax: 919-934-3298
 Website: www.shallco.com
 E-mail: Shallco@shallco.com