

SL-RL / SLA-RLA LED - Ref. D14857 / SL 1000 LED R23 reverse / A0787A711300



Latest generation LED work light with R23 reverse approval.

As standard this work light includes features such as the EMC CISPR25 class 5 as well as the integrated load dump, to meet the most severe manufacturer specifications.

TECHNICAL CHARACTERISTICS

| | |
|-------------------|----------------------------|
| Brand | ABL |
| Product Type | Reverse work light |
| Voltage | 12/24 V |
| Source | LED |
| Amperage | 0,58 AMP at 24V |
| Consumption | 14W |
| Operational Lumen | 1000 Lumen |
| Color Temperature | 6000 K for crystal version |
| Light pattern | R23 reverse approved |
| Color | Crystal |
| Connector | DT 2 pin |
| Mounting | Pedestal |
| Lens Material | Hardened glass |
| Shape | Square |
| Width | 101 mm |
| Depth | 57 mm |

www.vignal-group.com - contact@vignal-group.com

France Lyon HQ : +33 (0)4 72 917 917
 France Caen : +33 (0)2 31 74 73 13
 France Le Mans : +33 (0)2 43 50 14 14

Switzerland Rancate : +41 (0) 91 640 50 80
 US Mosinee : +1 715 693 1530
 China Changzhou : +86 137 7686 3469

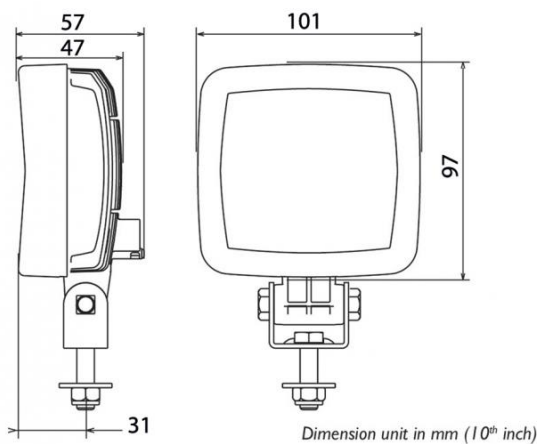


Print date : 02/05/2023

SL-RL / SLA-RLA LED - Ref. D14857 / SL 1000 LED R23 reverse / A0787A711300

| | |
|-------------------------------|---|
| Height | 97 mm |
| Weight | 0,45 Kg |
| IP protection | IP68 - IP69K |
| Polarity | Protected against reverse voltage |
| Electronic Thermal Management | Full output at +35°C ambient, 25 % dimmed at + 50°C ambient |
| Operation Temperatures | -40°C to +85°C |
| Load Dump | 36V CONTINUOUS / ISO 7637-2 Pulse 5a |
| Salt Spray Test | ISO 9227 |
| Vibration Resistance | 15 Grms, from 24Hz to 2000Hz |
| Shock resistance | 60G |
| Lifetime | 30 000 operating hours |
| EMC | ISO 13766 - ISO 14982 - ISO 12985 - CISPR25 Class 5 |
| Industry | Agriculture, Construction, Handling and Forklifts, Priority vehicle, Trailers and Semi-trailers, Trucks, Vans and Chassis cab |

OTHER VISUALS



ACCESSORIES

www.vignal-group.com - contact@vignal-group.com

France Lyon HQ : +33 (0)4 72 917 917
 France Caen : +33 (0)2 31 74 73 13
 France Le Mans : +33 (0)2 43 50 14 14

Switzerland Rancate : +41 (0) 91 640 50 80
 US Mosinee : +1 715 693 1530
 China Changzhou : +86 137 7686 3469



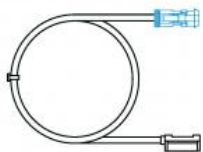
Print date : 02/05/2023

SL-RL / SLA-RLA LED - Ref. D14857 / SL 1000 LED R23 reverse / A0787A711300



D14170

**CONN - Repair kit
connector Deutsch 2
way DT 06-2S female**



R12486

**FCA - Harness 2C 2
pin Deutsch F / Click
in**